

VERSION

v.20211028

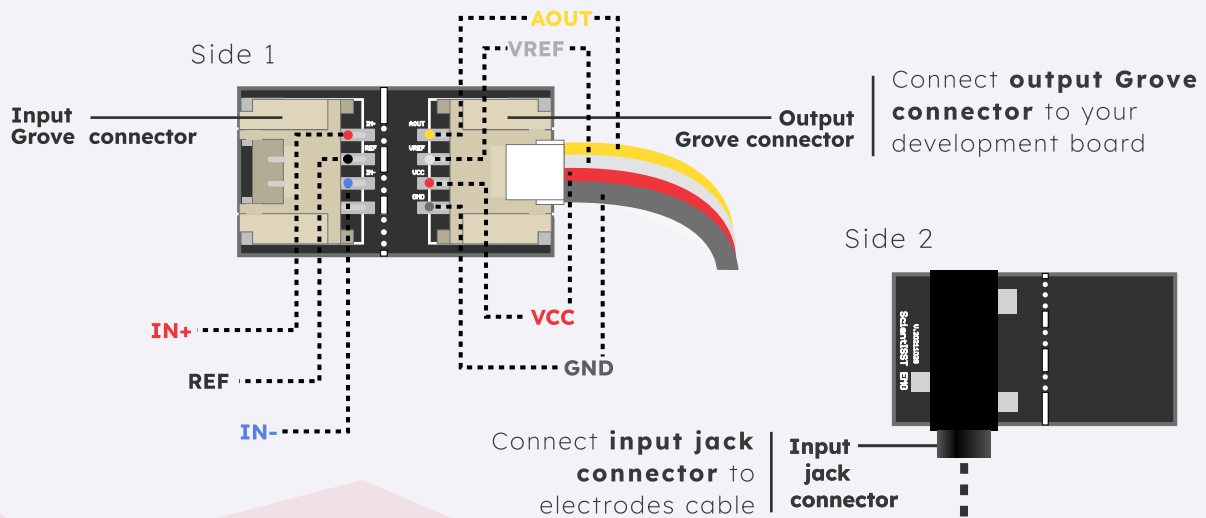
SPECIFICATIONS

FEATURES

- > EMG raw data output
- > Arduino-compatible
- > Grove and jack connectors to plug electrodes

- > Gain: 1000
- > Range: $\pm 1.65\text{mV}$ (with $VCC = 3.3\text{V}$)
- > Bandwidth: 10-400Hz
- > Current consumption: $\sim 4\text{mA}$
- > Input Impedance: 100GOhm
- > CMRR: 110dB

PINOUT AND SETUP



ELECTRODE CONNECTIONS

